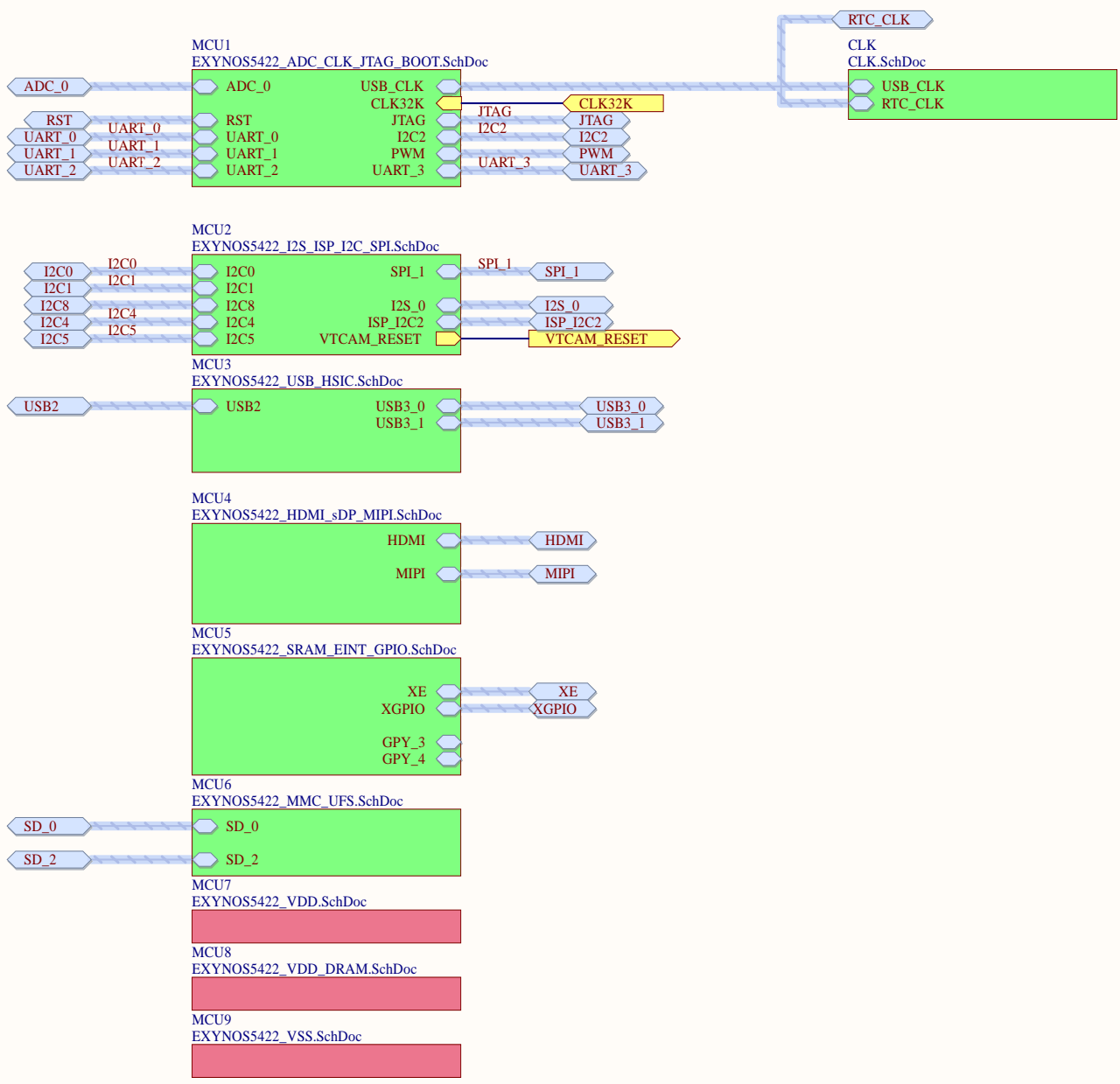



Mounting Holes

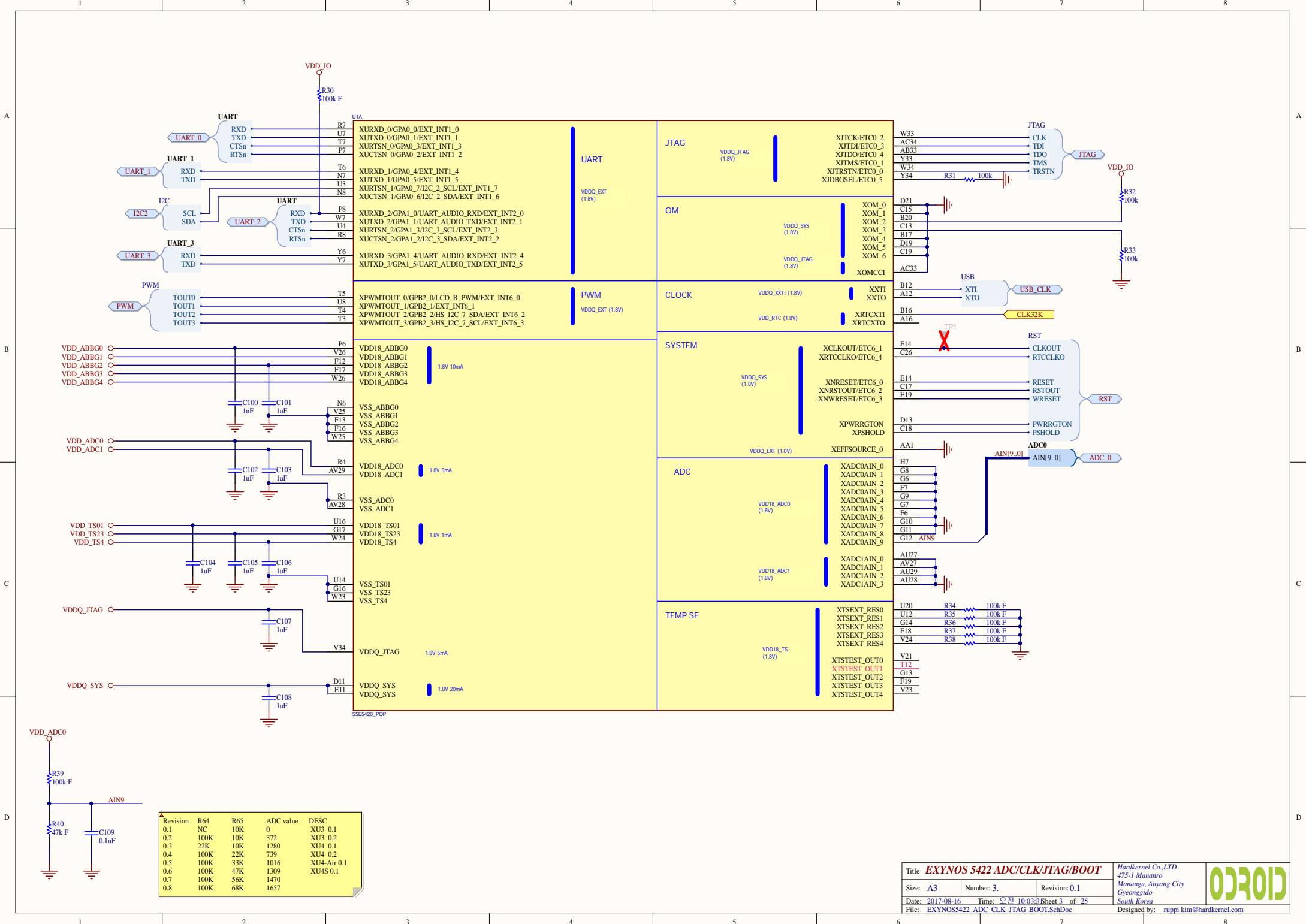


Heat Sink

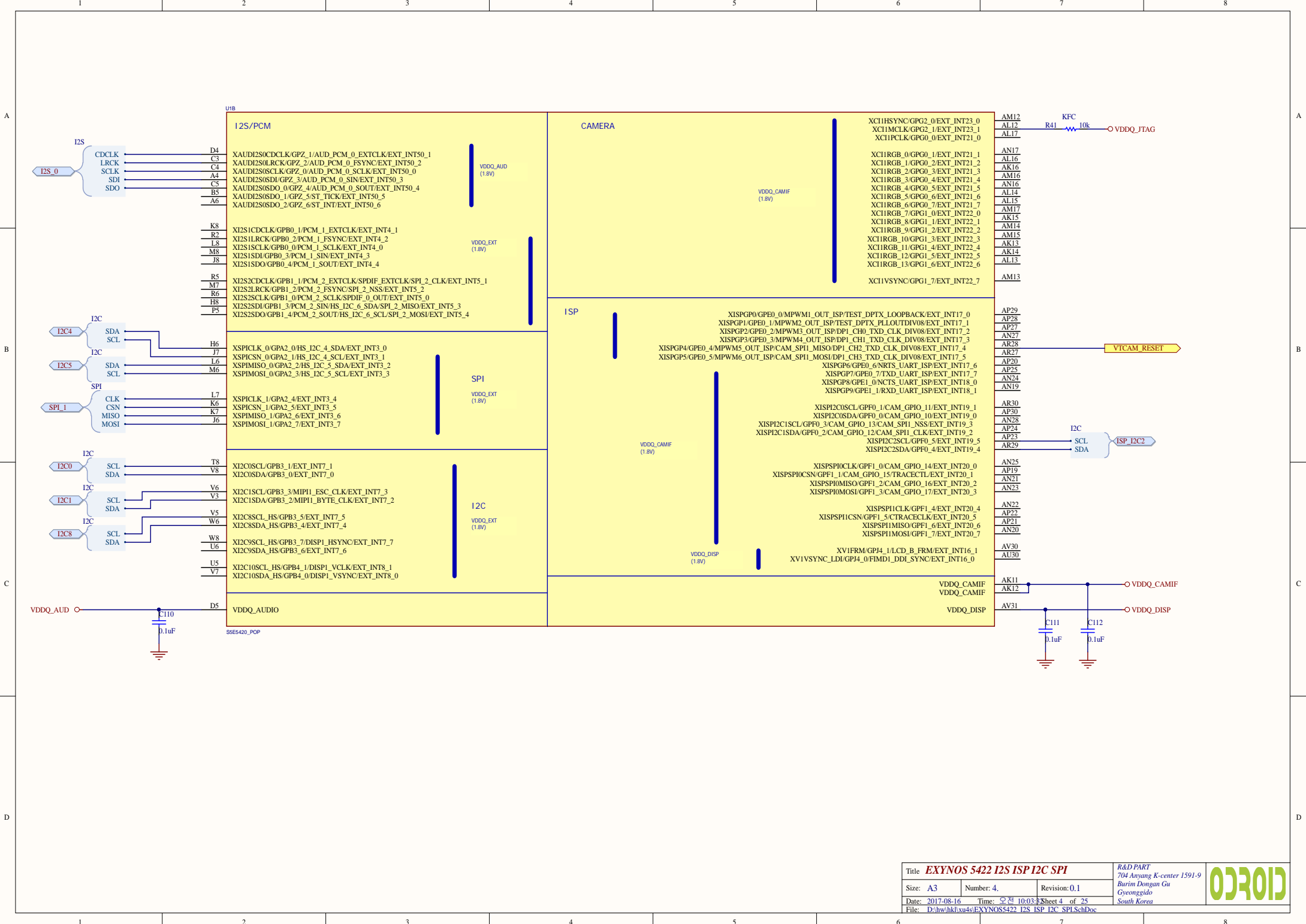


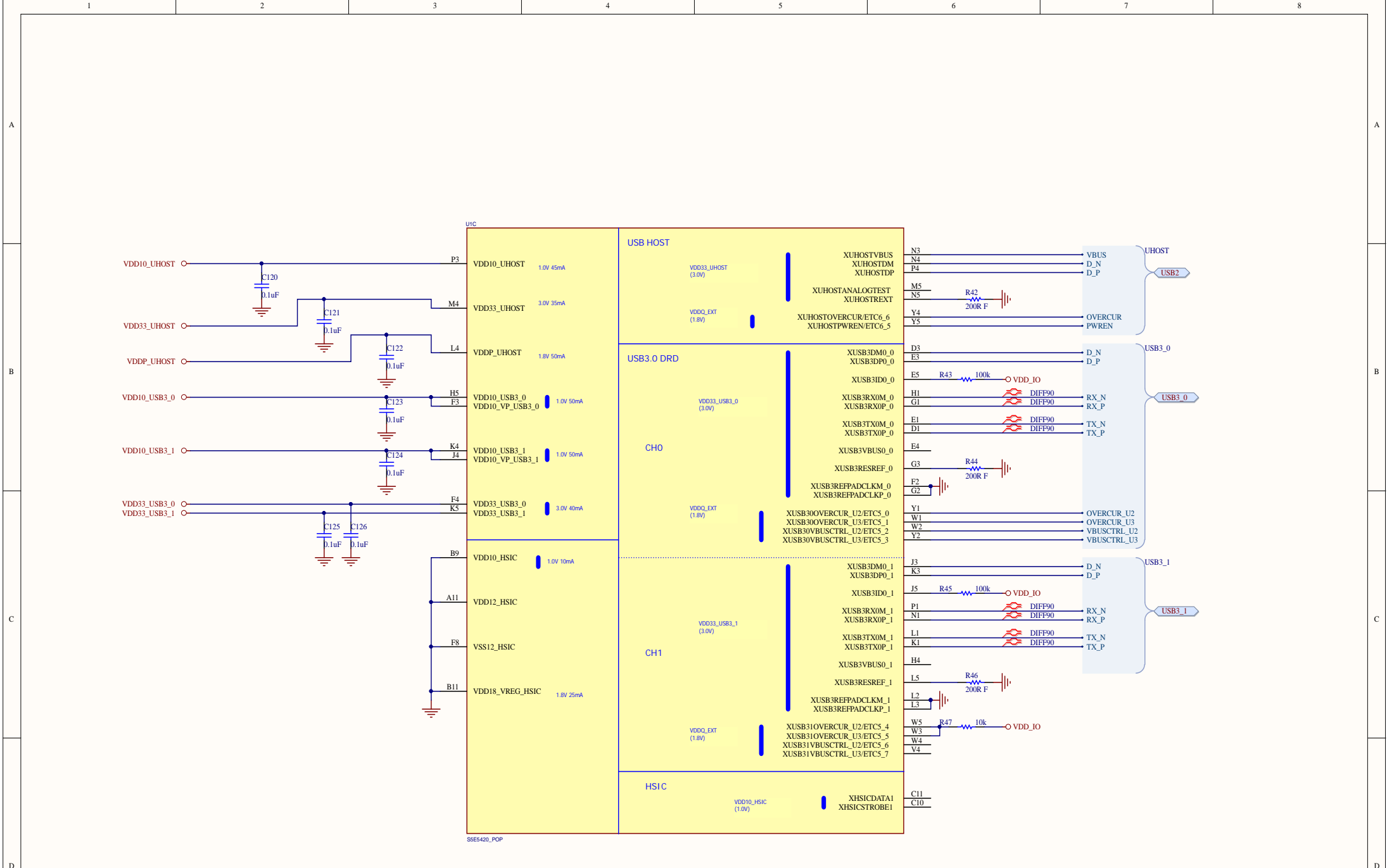


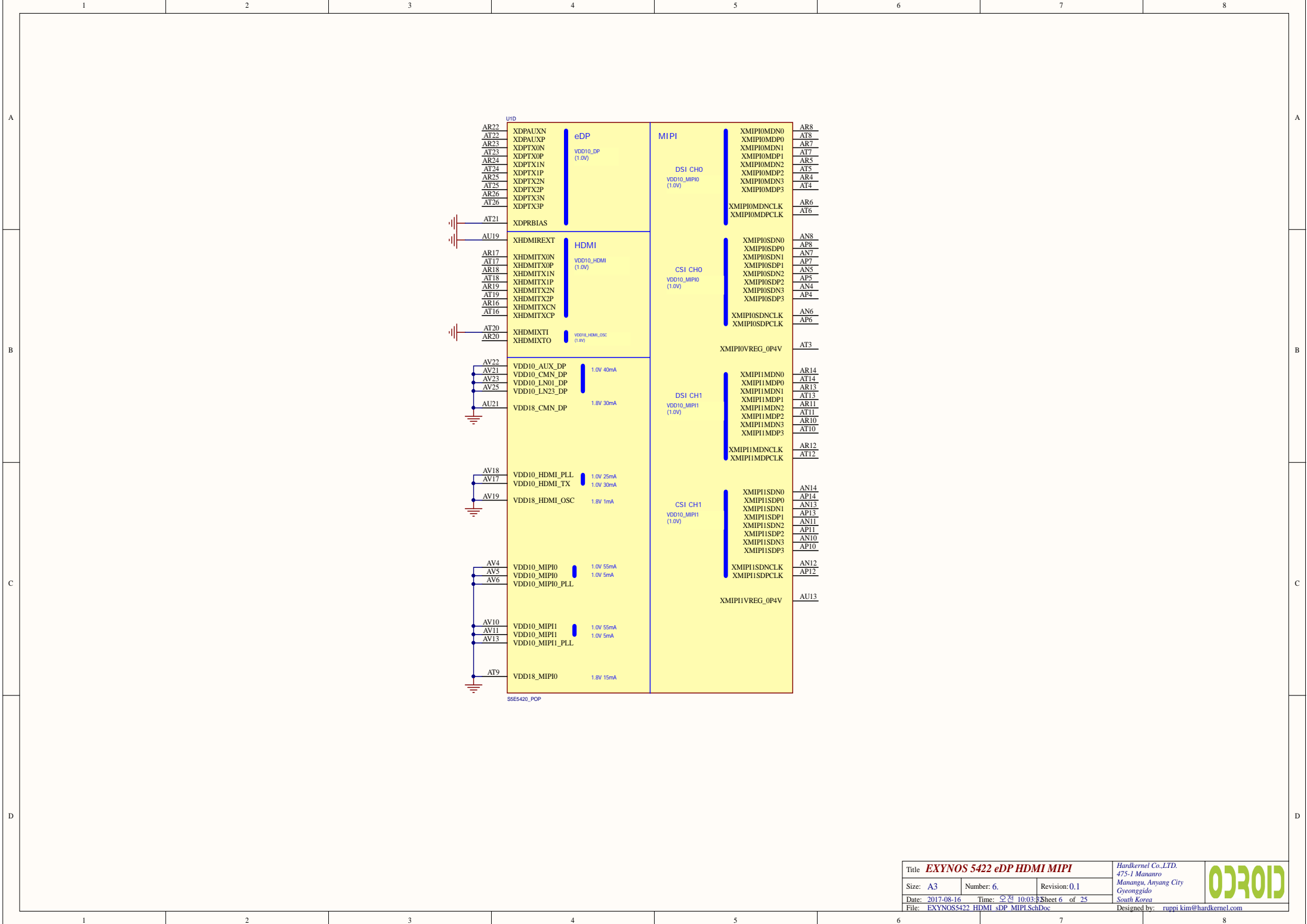
Title MCU EXYNOS5422			<i>Hardkernel Co.,LTD.</i> 475-1 Mananro Manangu, Anyang City Gyeonggido South Korea Designed by: ruppi.kim@hardkernel.com	
Size: A4	Number: 2.	Revision: 0.1		
Date: 2017-08-16	Time: 오전 10:03:38	Sheet 2 of 25		
File: MCU_EXYNOS5422.SchDoc				

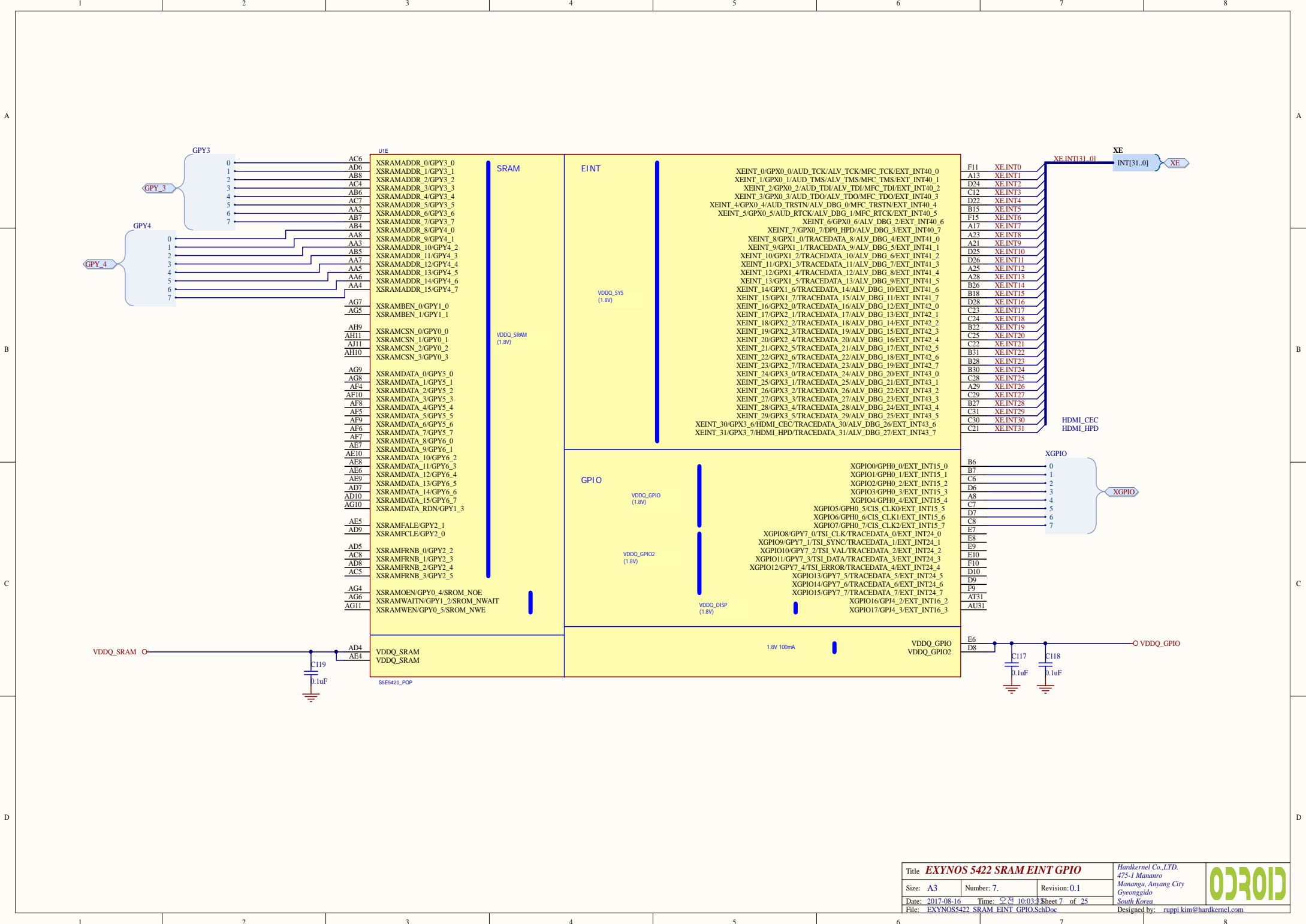


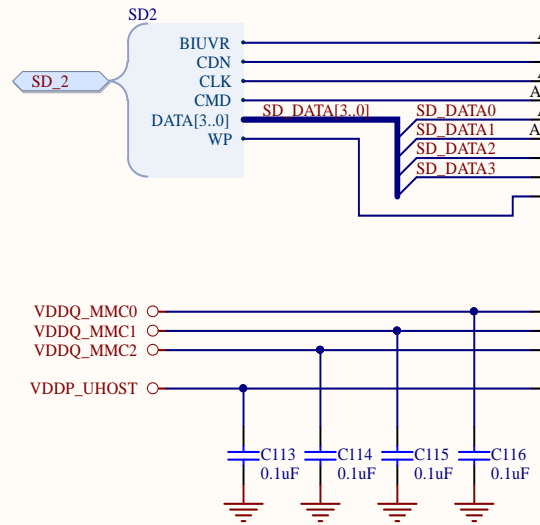
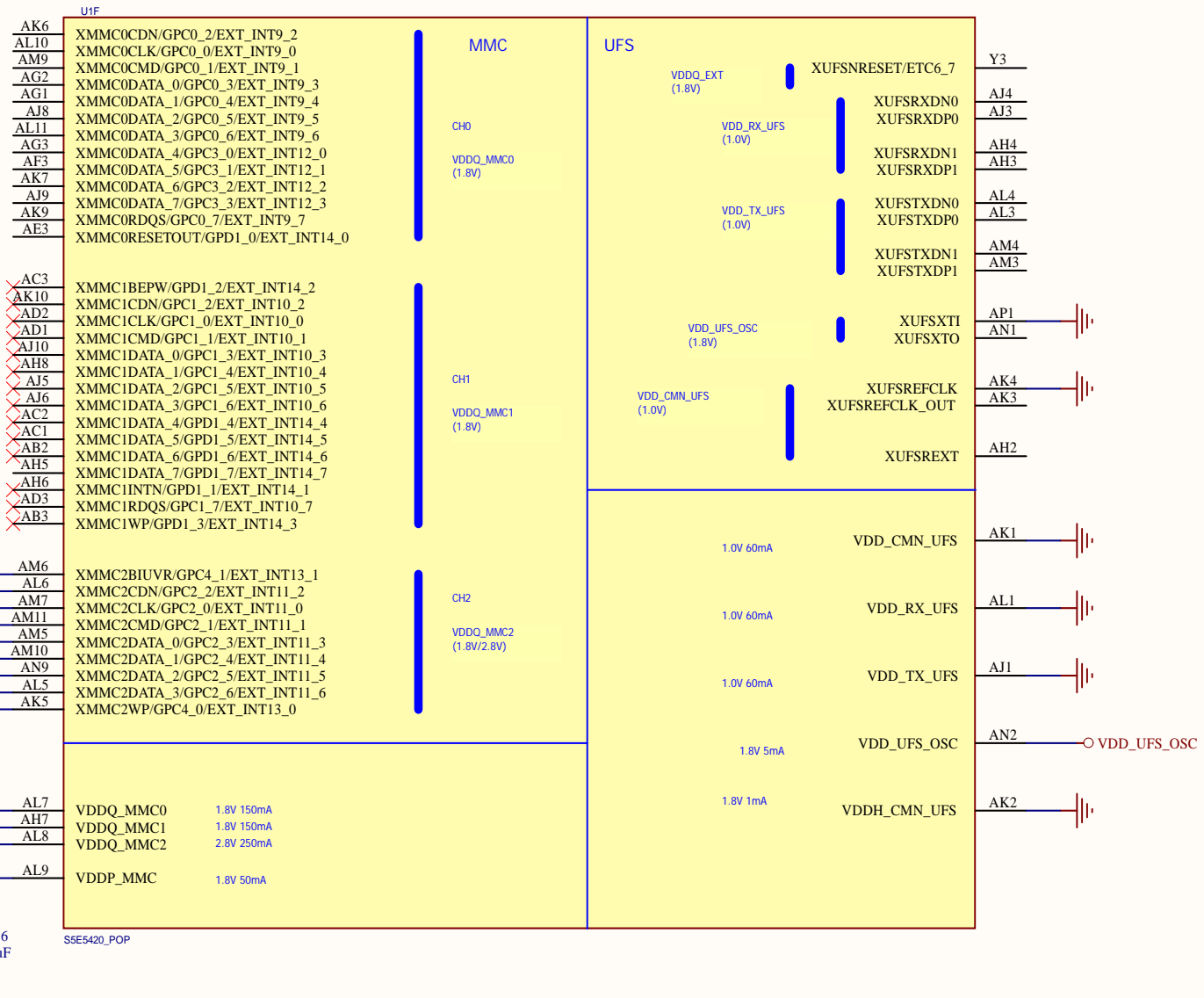
Revision	R64	R65	ADC value	DESC
0.1	NC	10K	0	XU3 0.1
0.2	100K	10K	372	XU3 0.2
0.3	22K	10K	1280	XU4 0.1
0.4	100K	22K	739	XU4 0.2
0.5	100K	33K	1016	XU4-Air 0.1
0.6	100K	47K	1309	XU4S 0.1
0.7	100K	56K	1470	
0.8	100K	68K	1657	

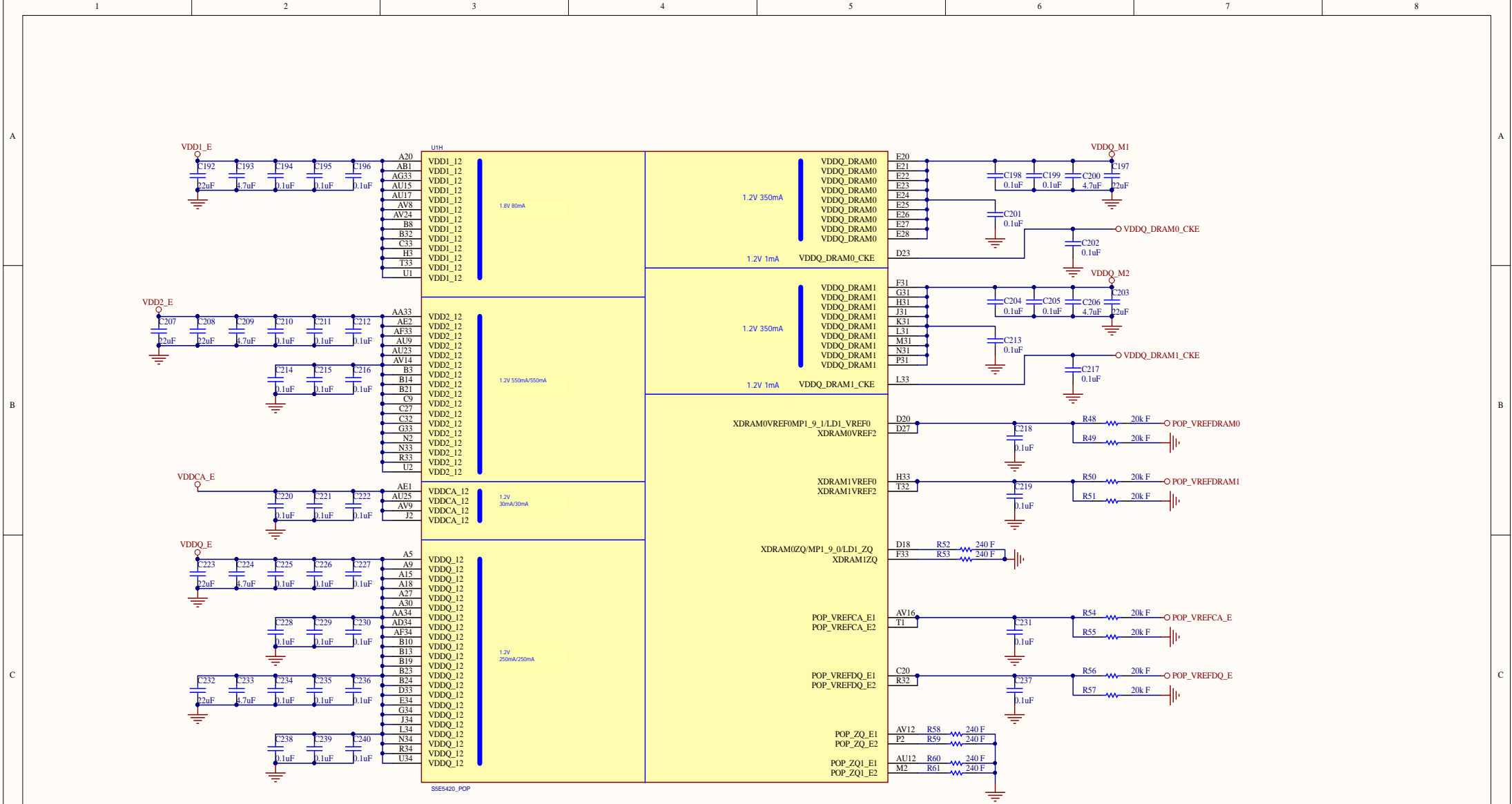


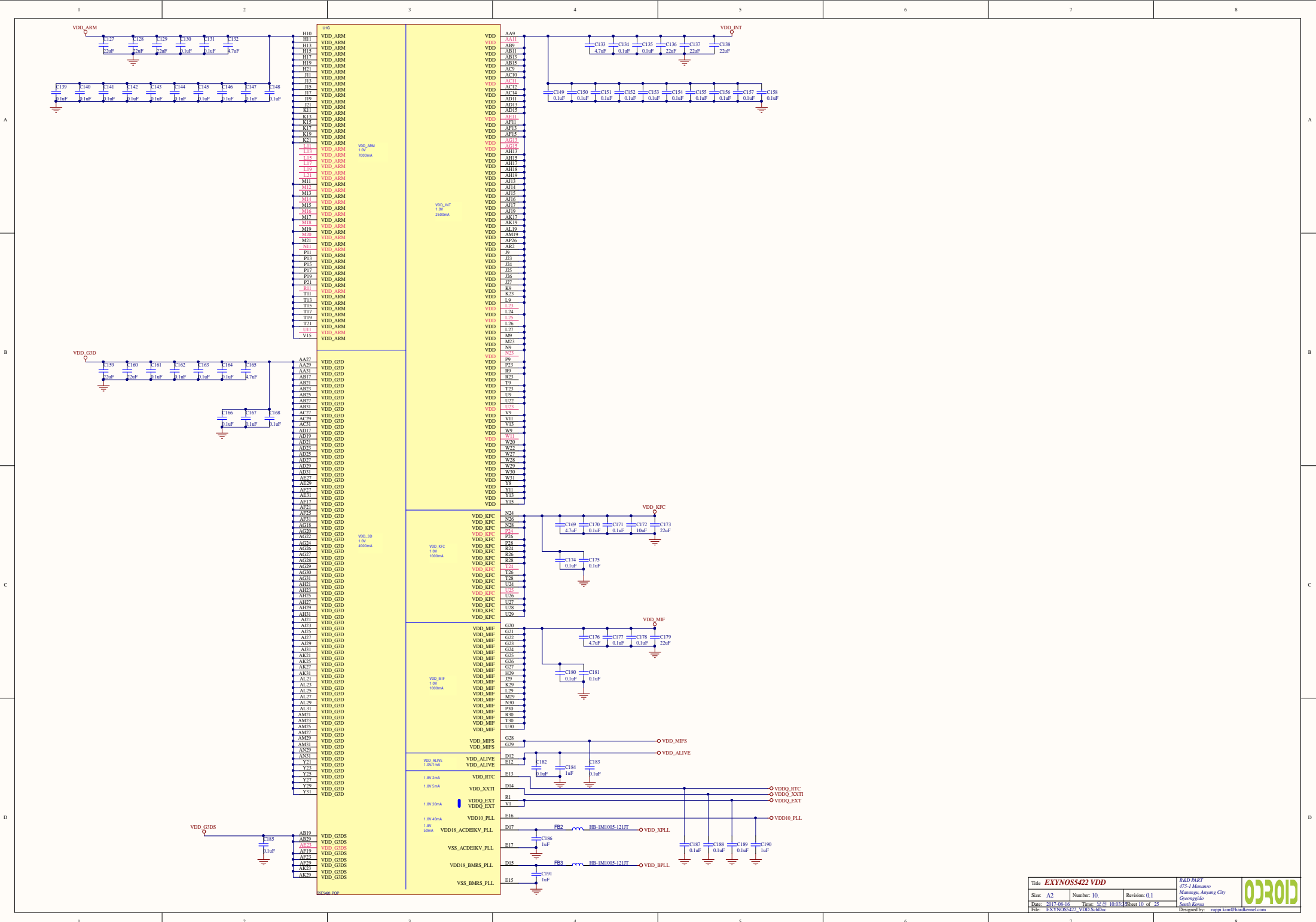


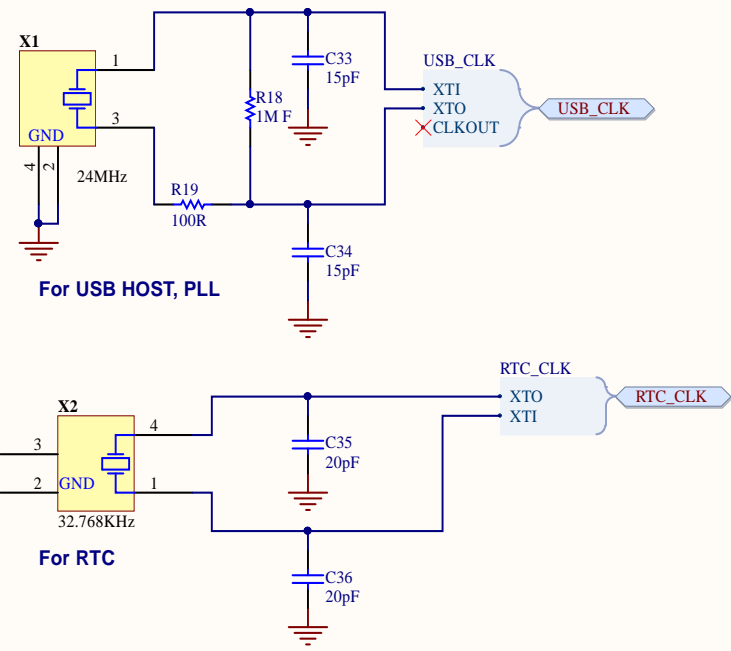




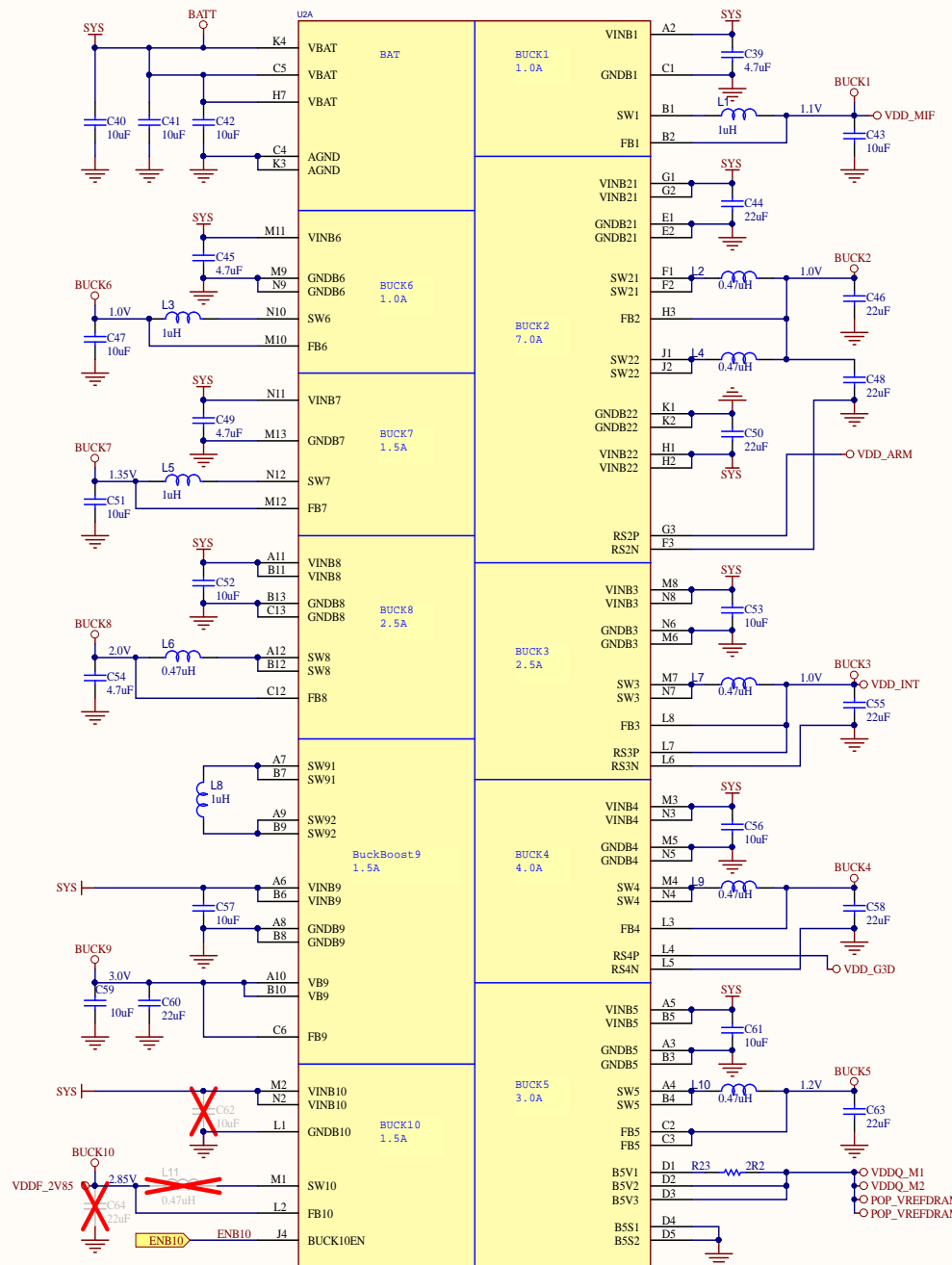








Title CLK			Hardkernel Co.,LTD. 475-1 Mananro Manangu, Anyang City Gyeongido South Korea	
Size: A4	Number: 12.	Revision:0.1		
Date: 2017-08-16	Time: 오전 10:03:38	Sheet 12 of 25	Designed by: ruppi.kim@hardkernel.com	
File: CLK.SchDoc				

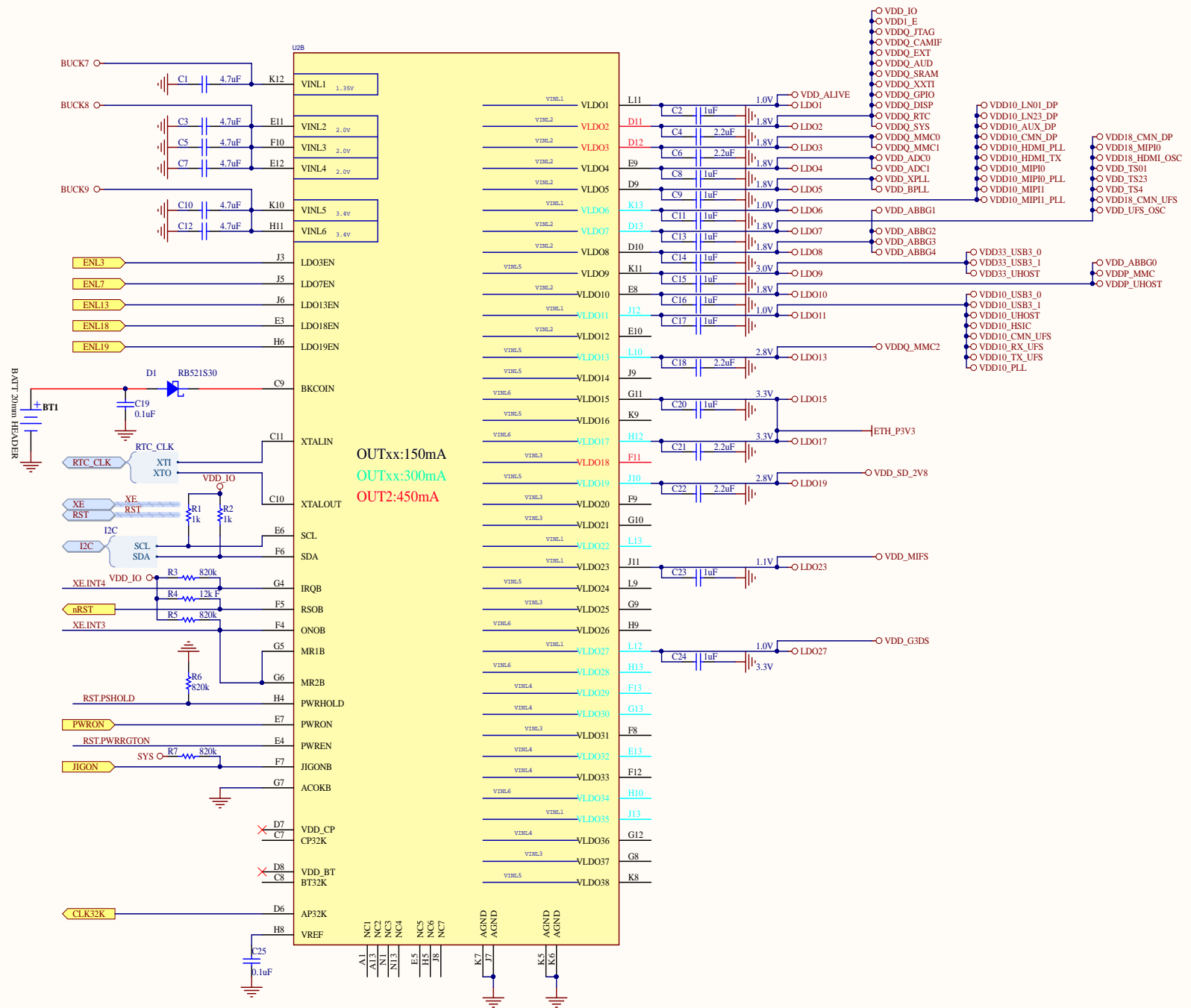


S2MPS11B 4TH
I2C ADDR : 0xCCC(PM) 0x0C(RTC)

- VDD_MEM
- VDDCA_E
- VDD2_E
- POP_VREFCA_E
- VDDQ_DRAM0_CKE
- VDDQ_DRAM1_CKE
- VDDQ_E
- POP_VREFDQ_E

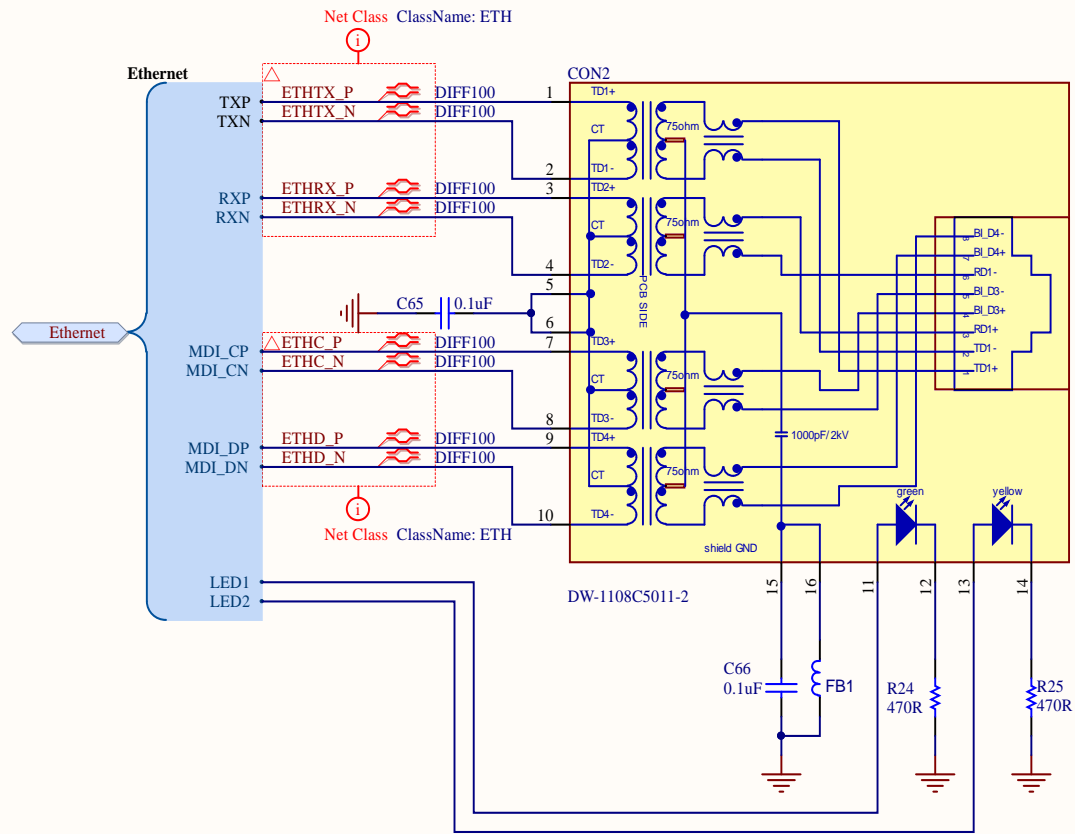
Title S2MPS11X BUCK			Hardkernel Co.,LTD. 475-1 Mananro Manangu, Anyang City Gyeonggido South Korea	
Size: A3	Number: 13	Revision: 0.1		
Date: 2017-08-16	Time: 2017-10-03 10:03:18	Sheet 13 of 25		
File: PWR PMIC S2MPS11 BUCK.SchDoc			Designed by: ruppi.kim@hardkernel.com	



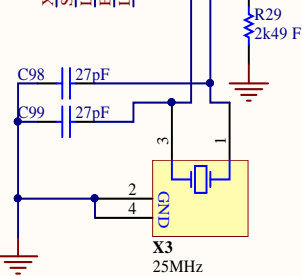
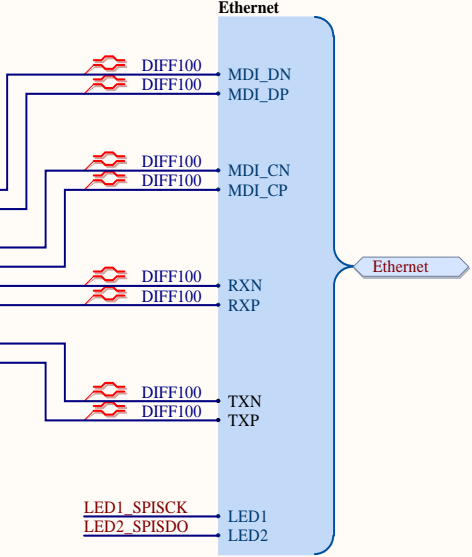
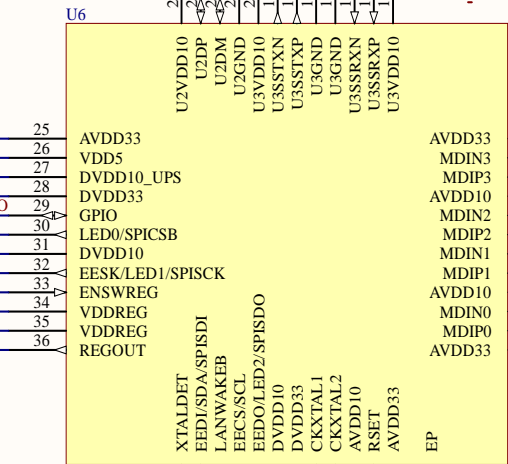
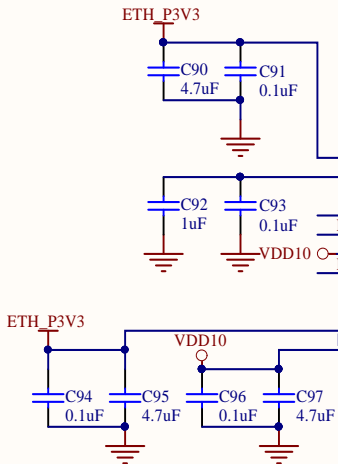
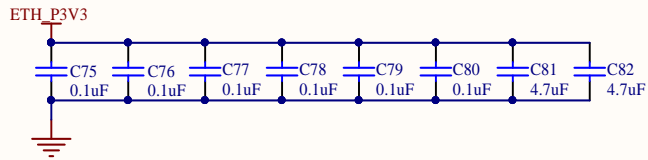
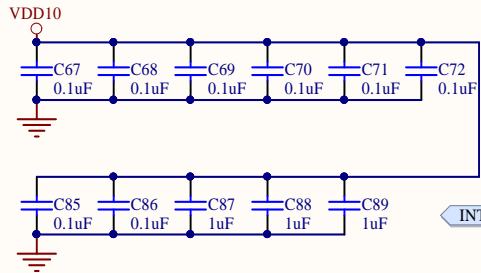


OUTxx:150mA
 OUTxx:300mA
 OUT2:450mA

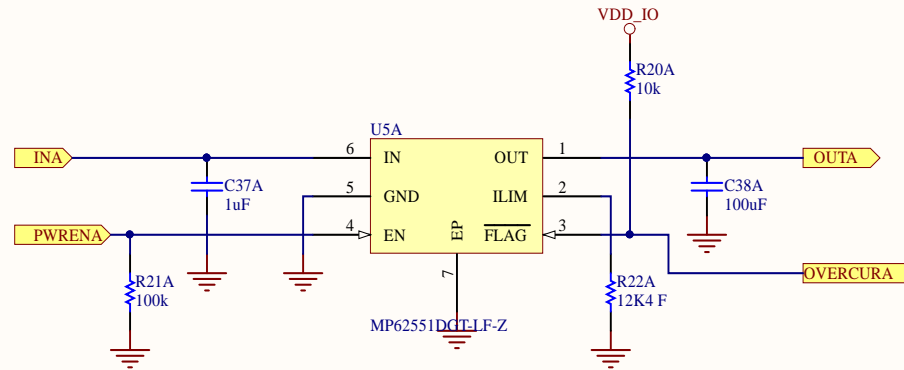
S2MPS11X_8
 I2C ADDR: 0xCC(PM) 0x0C(RTC)




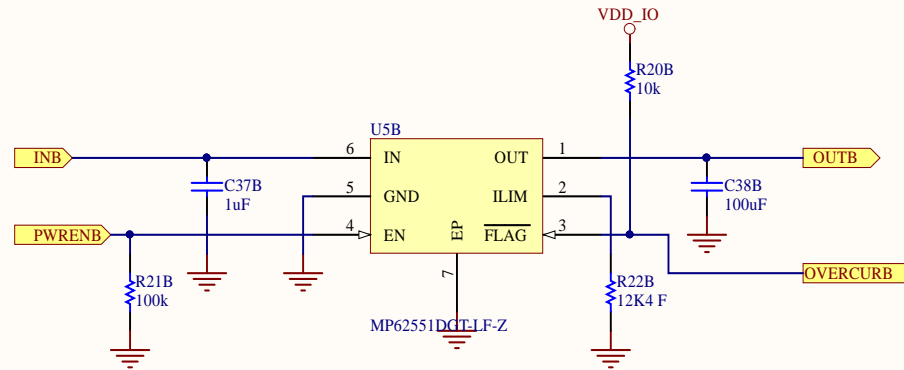
Title Giga Ethernet Connector			Hardkernel Co.,LTD. 475-1 Mananro Manangu, Anyang City Gyeonggido South Korea	
Size: A4	Number: 15.	Revision:0.1		
Date: 2017-08-16	Time: 오전 10:03:37	Sheet 15 of 25		
File: CON_GIGA_ETH.SchDoc			Designed by: ruppi kim@hardkernel.com	




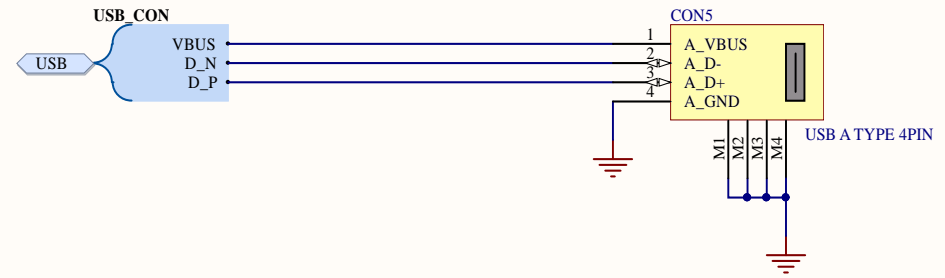
Title Giga Ethernet USB3.0 RT8153-VB			Hardkernel Co.,LTD. 475-1 Mananro Manangu, Anyang City Gyeonggido South Korea Designed by: ruppi.kim@hardkernel.com	
Size: A4	Number: 16.	Revision:0.1		
Date: 2017-08-16	Time: 오전 10:03:38	Sheet 16 of 25		
File: GIGA_ETHERNET_PHY_RT8153-VB-CG.SchDoc				




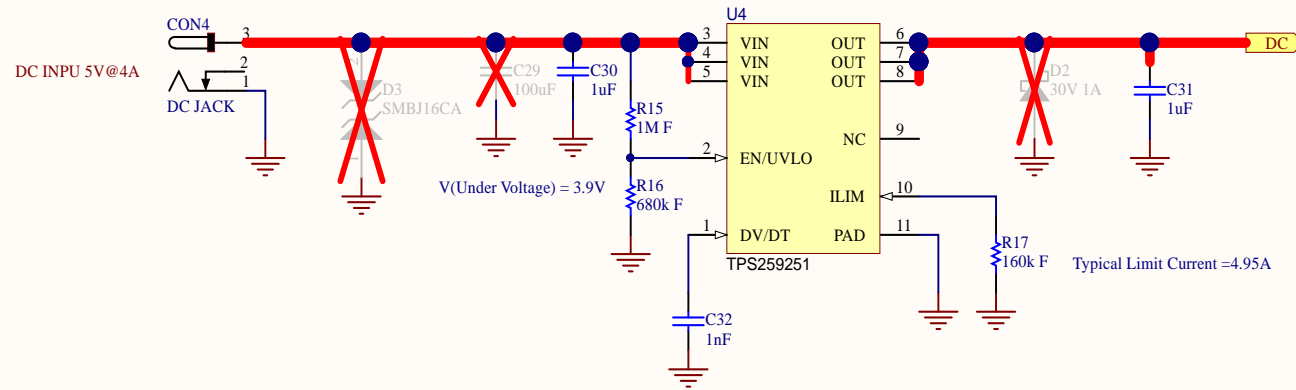
Title USB HOST Power Switch			Hardkernel Co.,LTD. 475-1 Mananro Manangu, Anyang City Gyeonggido South Korea Designed by: ruppi.kim@hardkernel.com	
Size: A4	Number: 17.	Revision:0.1		
Date: 2017-08-16	Time: 오전 10:03:38	Sheet 17 of 25		
File: MP62551.SchDoc				




Title USB HOST Power Switch			Hardkernel Co.,LTD. 475-1 Mananro Manangu, Anyang City Gyeonggido South Korea Designed by: ruppi.kim@hardkernel.com	
Size: A4	Number: 17.	Revision:0.1		
Date: 2017-08-16	Time: 오전 10:03:38	Sheet 17 of 25		
File: MP62551.SchDoc				



Title USB 2.0 Type A Connector			Hardkernel Co.,LTD. 475-1 Mananro Manangu, Anyang City Gyeongido	
Size: A4	Number: 18.	Revision:0.1		
Date: 2017-08-16	Time: 오전 10:03:38	Sheet 18 of 25	South Korea	
File: CON_USB_RA.SchDoc			Designed by: ruppi kim@hardkernel.com	



Title DC Jack and Potection IC			Hardkernel Co.,LTD. 475-1 Mananro Manangu, Anyang City Gyeonggido South Korea Designed by: ruppi.kim@hardkernel.com	
Size: A4	Number: 19.	Revision: 0.1		
Date: 2017-08-16	Time: 오전 10:03	Sheet 19 of 25		
File: CON_DCJACK.SchDoc				

1

2

3

4

1

2

3

4

1

2

3

4

A

A

B

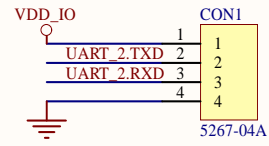
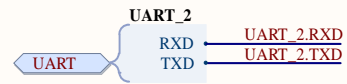
B


C

C

D

D



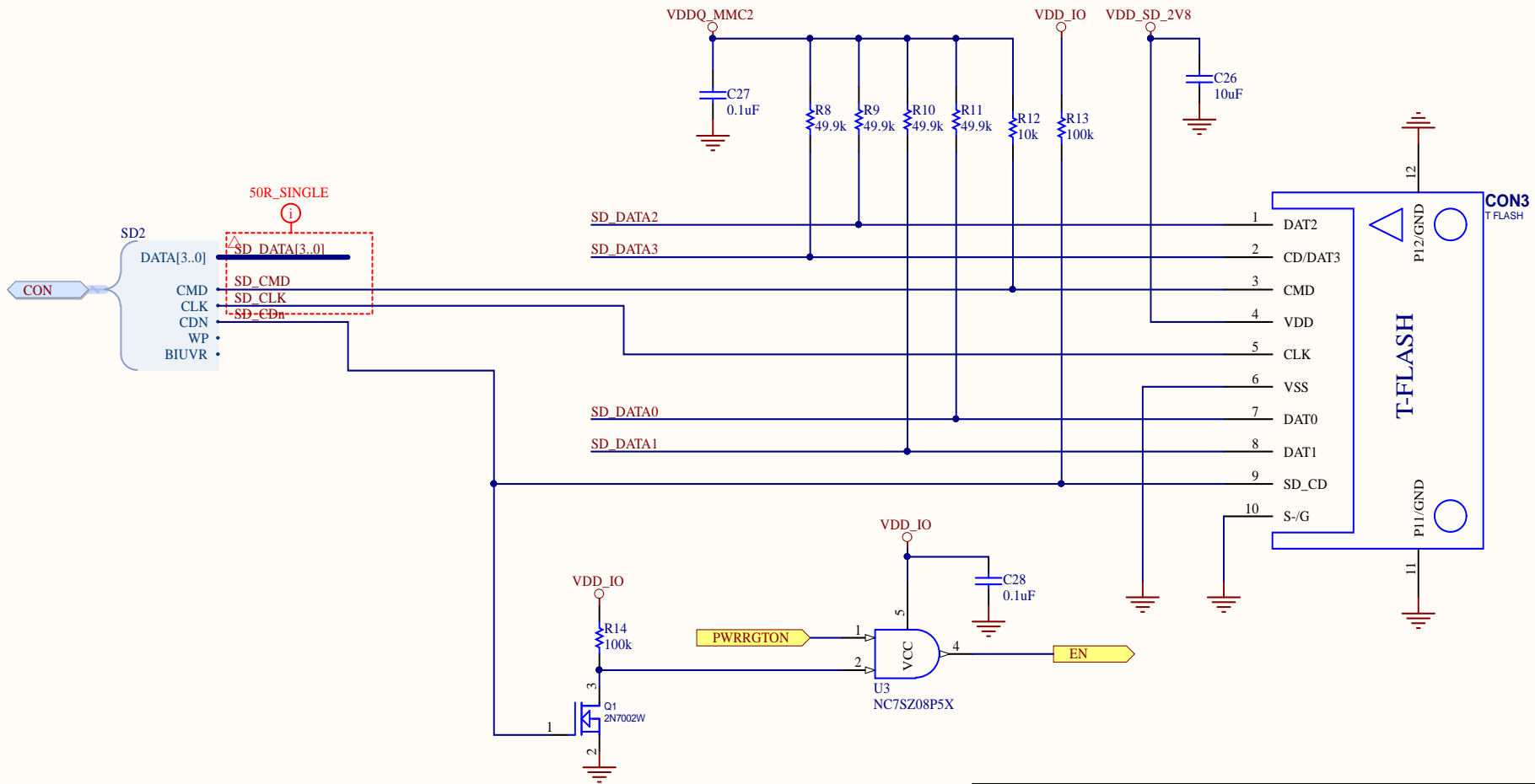
Title UART Connector			<i>Hardkernel Co.,LTD.</i> 475-1 Mananro Manangu, Anyang City Gyeonggido South Korea Designed by: ruppi.kim@hardkernel.com	
Size: A4	Number: 20.	Revision: 0.1		
Date: 2017-08-16	Time: 오전 10:03:38	Sheet 20 of 25		
File: CON_UART.SchDoc				

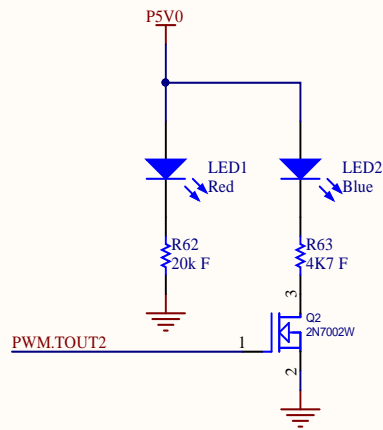
1


2

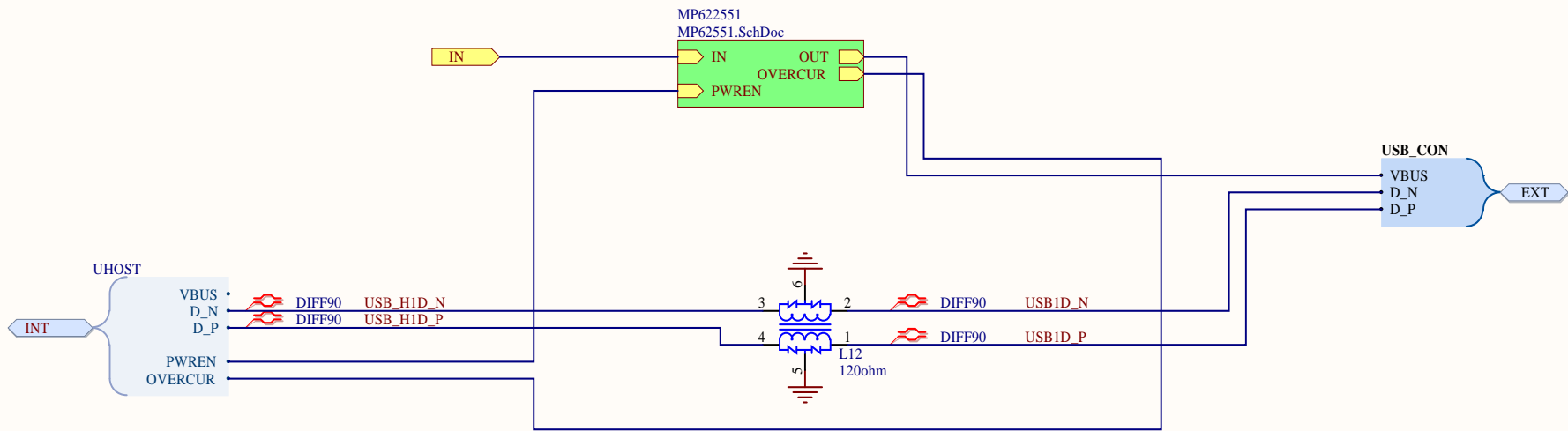
3


4

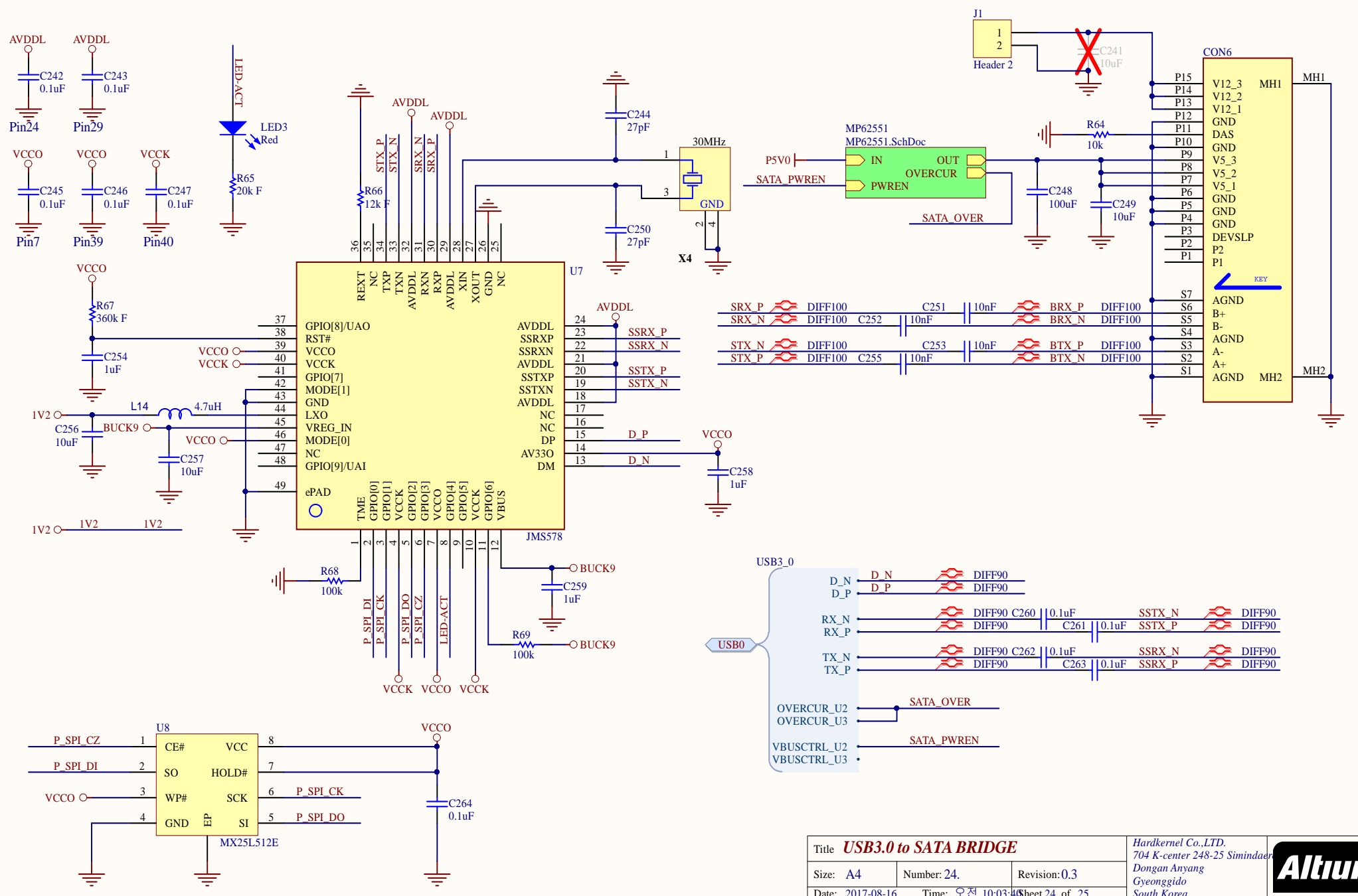




Title Indicator LEDs			<i>Hardkernel Co.,LTD.</i> 475-1 Mananro Manangu, Anyang City Gyeongido South Korea Designed by: ruppi.kim@hardkernel.com	
Size: A4	Number: 22.	Revision: 0.1		
Date: 2017-08-16	Time: 오전 10:03:38	Sheet 22 of 25		
File: XU4_LEDS.SchDoc				



Title USB HOST PWR SW			Hardkernel Co.,LTD. 475-1 Mananro Manangu, Anyang City Gyeonggido South Korea Designed by: ruppi.kim@hardkernel.com	
Size: A4	Number: 23.	Revision: 0.1		
Date: 2017-08-16	Time: 오전 10:03:40	Sheet 23 of 25		
File: USB2_HOST_PWR_SW.SchDoc				



Title USB3.0 to SATA BRIDGE			Hardkernel Co.,LTD. 704 K-center 248-25 Simindae Dongan Anyang Gyeonggido South Korea	
Size: A4	Number: 24.	Revision:0.3		
Date: 2017-08-16	Time: 오전 10:03	Sheet 24 of 25		
File: D:\hw\hkl\xu4s\USB3.0 to SATA BRIDGE.SchDoc				